

DIESEL GENERATOR SET TP1500PA

Rating

50HZ

kVA/kW	380V	400V	415V
Prime:	1500/1200	1500/1200	1500/1200
Standby:	1650/1320	1650/1320	1650/1320

60HZ

kVA/kW	220 -240V	440 - 480V	380V*
Prime:	---	---	---
Standby:	---	---	---

DIMENSIONS & WEIGHT

Open

4900 X 2200 X 2460	(mm)
11500	(kg)

Enclosed 75

10000 x 2800 x 3925	(mm)
26000	(kg)

Enclosed 85

8000 x 2800 x 3915	(mm)
18000	(kg)

Features

- CLLS Power provides one-stop service to integrated energy solutions.
- All gensets are tested before leaving our facilities.
- Complete with standard accessories for the convenience of installation.
- Genset comply to Singapore NEA requirements, EU and EPA Standards
- Our generator sets are design to providing dependable power and optimise performance in various applications.
- Covered with One year limited warranty / 1500 running hours upon commissioning /18 months upon site delivery, whichever occurs first.

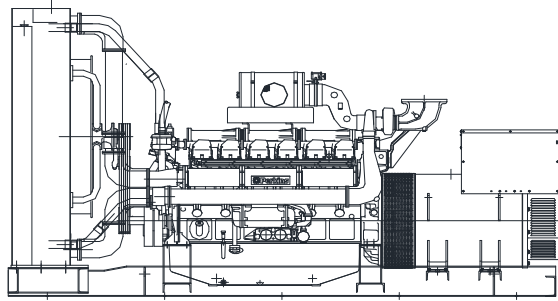
POWER DEFINITION

Prime Power

- Apply to applications where utility power is unstable or unavailable. At Prime rating, the operating hour is unlimited to the annual hours of operation at variable load. 10% overload power for 1 hour in 12 hours.

Standby Power

- Apply to applications where utility power is reliable. In the event of power interruption, standby power is available at variable load up to the designed rating. There is no overload capacity.



1500rpm

PERKINS 4012-46TAG2A

Prime power (kWm)	1267
Standby power (kWm)	1395
Displacement (Litre)	45.8
Bore (mm)	160
Stroke (mm)	190
Formation	60 ° Vee
Cylinders	12
Cycle	4
Engine electrics (volt)	24
Piston speed (m/s)	9.5
Mean effective pressure, Prime (MPa)	2.32
Mean effective pressure, Standby (MPa)	2.54
Governor Type	Electronic

AIR CONSUMPTION

Combustion air, prime (m ³ /min)	105
Combustion air, standby (m ³ /min)	120

EXHAUST OUT

Exhaust gas volume, prime (m ³ /min)	309
Exhaust gas volume, standby (m ³ /min)	309
Exhaust backpressure (kPa)	5
Exhaust gas temperature, prime (°C)	500
Exhaust gas temperature, standby (°C)	500

OIL SYSTEM

Oil pressure normal (kPa)	400
Sump capacity (litre)	177
Lub oil consumption 100% (l/h)	TBA

COOLANT SYSTEM

Coolant capacity (litre)	210
Coolant flow (l/min)	1020
Radiator air flow (m ³ /min)	1944
Thermostat (°C)	95

DIESEL GENERATOR SET TP1500PA

OPTIONAL

Engine

- Heavy Duty Air Filter
- Fuel Water Separator
- Oil Level Maintainer

Cooling System

- Antifreeze 50/50
- Block Heater
- Remote Radiator
- Heat Exchanger

Alternator

- Space Heater
- Droop Kit
- RTD
- PMG
- HV & MV

Starting System

- Ni-Cad Batteries
- Plante Batteries

Control Box

- Key Start
- Auto-Start
- AMF
- Synchronizing

Electrical System

- 3P/4P ACB

Fuel System

- Day Tank - Free Standing
- Day Tank - Sub-base
- Storage Tank

Silencers

- Critical Silencer
- Absorptive Silencer

SERVICE & MAINTANENCE

- Comprehensive maintenance contract available.

CONTACT US

CLLS POWER SYSTEM LTD

23 TUAS AVENUE 2
SINGAPORE 639454

TEL: +65 6264 2922

FAX: +65 6862 1145

Email: powersystem@cls.com.sg

Website: www.cls.com.sg

CLLS Power System Sdn Bhd

Lot. 530, Persiaran Subang Permai
Sungai Penaga Industrial Park
USJ 1, 47500 Subang Jaya
Selangor Darul Ehsan, Malaysia

TEL: +603 - 5632 1577

FAX: +603 - 5632 3126

Email: powersystem.mal@cls.com.my

FUEL CONSUMPTION (l/h)

	1500rpm	1800rpm
110% Load		378
100% Load		342
75% Load		252
50% Load		178

HEAT BALANCE (110%)

Heat content fuel (kWm) @ 42.8MJ/kg

To work	1459
To water	499
To convection	112
To exhaust	1250

ALTERNATOR

Type	Brushless
Insulation	Class H
Voltage regulation	±1%
Design	IP23
Bearing	Single
Sustained short circuit	300%
Pitch	2/3
Efficiency @ 0.8pf,	
100%	96.2%
75%	96.4%
50%	95.9%

CONTROLLER OPTIONS

AMF Controller

- Stylish, compact and easy to navigate
- Complete Genset monitoring and protection functions
- History log on event and performance for easy troubleshooting
- kWh monitoring
- Built-in Earth Fault & Over Current protection
- Wide range of communication interfaces

Auto Start

- Monitoring, protection, operational status, fault conditions and metering display on back-lit LCD Screen
- Configuration of parameters
- Robust electronics package
- All set points and I/O's configurable via front panel

Key Start

- All at one glance monitoring
- Direct Access, functional and reliable
- Clear labelling
- Low Maintenance